

Features

- Intel® Mobile Core™ 2 Duo/ Pentium® Dual-Core/ Celeron® 5xx Socket P 533/667/800 MHz FSB
- Intel® GME965 GMCH Chipset
- Two DIMMs up to 4 GB DDR2 533/667MHz System Memory
- Intel® GMA X3100 GFX Engine; DVMT 4.0 up to 256MB memory, CRT, Dual CH 18/24-bit LVDS, TV-out, DVI, HDMI
- Dual Gbit Ethernet
- Realtek® ALC888 8 CH HD Audio, SPDIF
- 1 PCIe x4, 1 PCI, 1 Mini PCIe, CF
- 2 SATAII (3.0 Gb/s), 8 USB, 2 COM
- Support TPM 1.2 (Infineon SLB 9635)
- Mini ITX Form Factor (6.7" x 6.7")
- RoHS Compliant
- Microsoft Windows Vista ready

Specification

System

CPU	Intel® Mobile Core™ 2 Duo/ Pentium® Dual-Core/ Celeron 5xx Socket P 533/667/800 MHz FSB (Rev. 1.1 or up for 45nm processor)
Chipsets	Intel® GME965 GMCH + Intel® ICH8M Chipsets
System Memory	Two 240-pin DIMM sockets support up to 4 GB DDR2 533/667 MHz
BIOS	AMI 16 Mb SPI ROM
Expansion Interface	1 x PCI
	1 x PCI Express x4 (Must use a suitable Riser Card)
	1 x Mini PCI Express
	1 x Compact Flash Socket

Display

Chipset	Intel® GMA X3100 GFX Engine; DVMT 4.0 up to 256MB
Video Engine	Direct X 9, Clear Video, built-in MPEG 2/WMV 9 HW acceleration
Video Output	Onboard CRT, DVI and Dual Channel 18/24 bit LVDS
Hi-Def Video Support	Onboard HDMI port up to 1080p (Hardware Revision: 1.2 or up)
TV-out	Support both S-video and component video

I/O

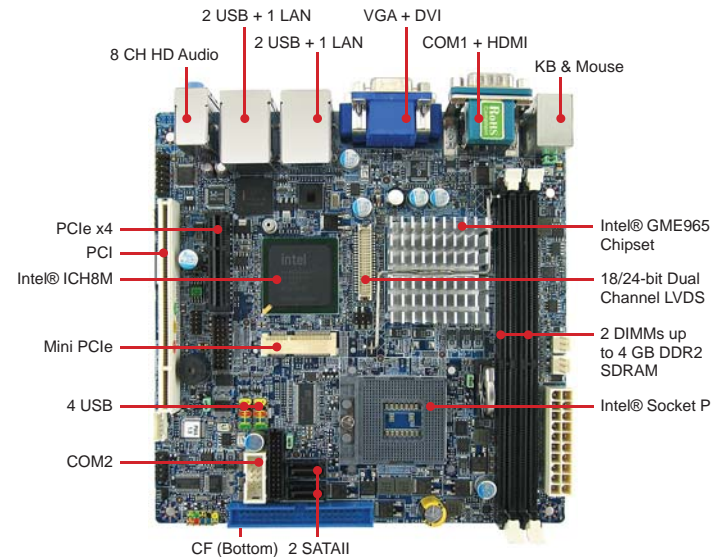
MIO	1 x K/B, 1 x Mouse, 1 x IDE (Ultra DMA 66/100), 1 x LPT
USB	4 x USB ports (Rear I/O) and 2 USB 2.0 Pin Headers for 4 USB Ports
COM	1 x RS232 for COM1 (Rear I/O), 1 x RS232 Pin Header for COM2
SATA	2 x SATAII (transfer rate up to 3.0 Gb/s)
HDMI	1 x HDMI connector
LVDS	1 x 18/24-bit LVDS connector
DVI	DVI 1 x DVI connector
DIO	16-bit General Purpose I/O for DI and DO

Audio

Audio Codec	Realtek® ALC888 8 Channels HD Audio
Interface	Line-out, Line-in, Mic-in, Center-out, Surround-out, Rear Speaker-out and SPDIF

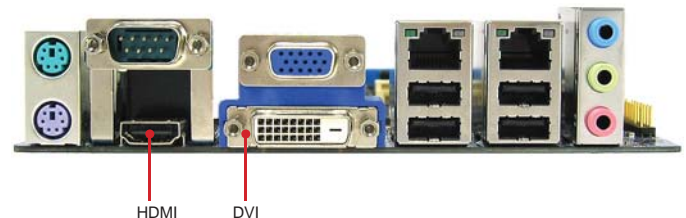
Ethernet

LAN 1	Intel® 82573L (1000Base-T Fast Ethernet)
LAN 2	Intel® 82566DC (1000Base-T Fast Ethernet)



Mechanical and Environment

Power Supply Voltage	3.3V, 5V, 12V, -12V
Power Type	ATX
Operating Temperature	0~60°C (32~140°F)
Form Factor	Mini ITX
Dimensions	6.7" (L) x 6.7" (W)
Weight	0.88 lbs



Ordering Information

MX965GME

Intel® GME965 chipset Socket P, HDMI, LVDS, DVI, TV-out, SPDIF, 2 Gbit LAN, 1 PCI, 1 Mini PCIe, CF, 2 SATAII, 8 USB

* All product specifications are subject to change without notice. Last update: 03/26/09