

## Features

- Intel® Atom™ N270, 1.6 GHz
- Processor Onboard with Hyper-Threading Technology
- Low Power Consumption
- Intel® Mobile 945GSE/ICH7M Chipset
- Up to 2 GB DDR2 SO-DIMM System Memory
- Intel® GMA 950 Graphics Engine Provides Incred+ible Visual Quality
- Dual Display: LVDS, VGA
- 18/24bit Dual Channel LVDS
- Dual Gigabit LAN
- 1 PCI, 1 Mini PCIe
- 6 USB, 2 SATA
- HD Audio, Amplifier
- Mini ITX (6.7" x 6.7")

## Specification

### System

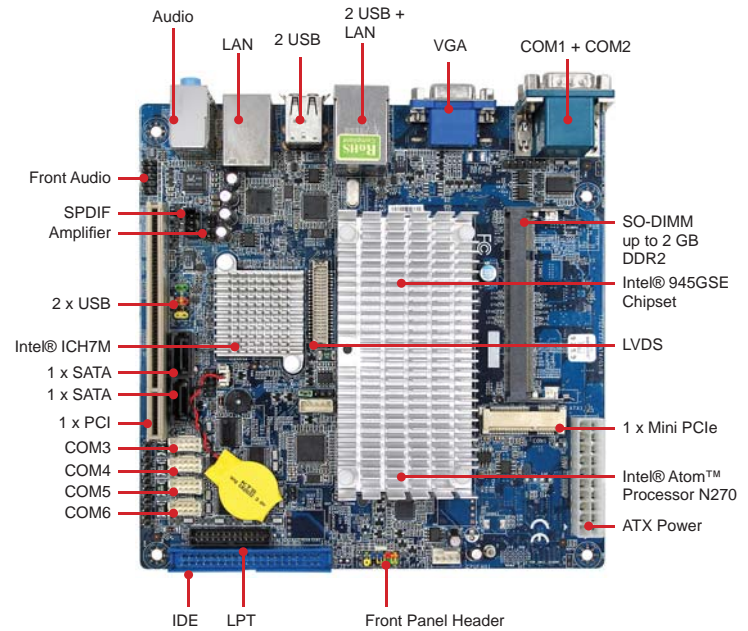
CPU	Onboard Intel® Atom Low Power Processor N270, 1.6 GHz Single Core with Hyper-Threading Technology, 533 MHz FSB
Chipsets	Intel® 945GSE + Intel® ICH7M
System Memory	One DDR2 SO-DIMM slot up to 2 GB memory 533/400 MHz
BIOS	AMI BIOS 4Mb SPI ROM
Expansion Interface	1 x PCI Slots (support 3 PCI masters) 1 x Mini PCIe socket
Watchdog Timer	Reset: 1 sec.~255 min. and 1 sec. or 1 min./step
H/W Status Monitor	Monitoring CPU temperature, voltage, and cooling fan status. Auto throttling control when CPU overheats

### Display

Chipset	Intel® 945GSE integrated Graphics Media Accelerator 950
Display Memory	166 MHz core render clock and 200 MHz core display clock at 1.05 V core voltage
Digital Display Res.	LVDS/DVI: up to 1600 x 1200 CRT: up to 2048 x 1536
VGA/LCD	1 x VGA (Rear IO)
LVDS	1 x 18/24-bit Dual Channel LVDS connector

### I/O

MIO	1 x IDE, 1 x LPT
USB	4 x USB 2.0 (Rear IO), 1 x USB pin header for additional 2 USB
COM (V1)	1 x RS-232/RS-422/RS-485 1 x RS-232
COM (V2)	1 x RS-232/RS-422/RS-485 5 x RS-232
SATA	2 x SATA



### Audio

AC'97 Codec	Realtek® ALC888 8 Channel HD Audio
Audio Interface	Line-out, Mic-in, SPDIF header, Line-in
Audio Amplifier	TI TPA3005D2 class D 6 Watt Amplifier

### Ethernet

LAN 1	Intel® 82574L (1000Base-T Fast Ethernet)
LAN 2	Intel® 82574L (1000Base-T Fast Ethernet)

### Mechanical and Environment

Power Type	ATX
Operating Temperature	0~60°C (32~140°F)
Operating Humidity	0%~90% relative humidity, non-condensing
Form Factor	Mini ITX
Dimensions	6.7" (L) x 6.7" (W)
Weight	0.88 lbs



## Ordering Information

### MX945GSE (V1)

Intel® Atom™ Processor N270 1.6 GHz CPU, 945GSE Chipset, 1 SO-DIMM slot up to 2 GB DDR2, 1 PCI, 1 x Mini PCIe, 2 USB, 6 COM, 2 Gbit LAN, LVDS, 6W AMP

### MX945GSE (V2)

Intel® Atom™ Processor N270 1.6 GHz CPU, 945GSE Chipset, 1 SO-DIMM slot up to 2 GB DDR2, 1 PCI, 1 x Mini PCIe, 6 USB, 6 COM, 2 Gbit LAN, LVDS, 6W AMP

\* All product specifications are subject to change without notice. Last update: 11/20/2009