

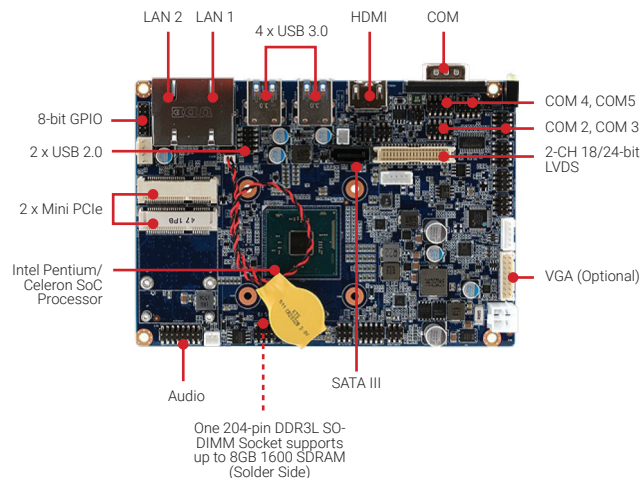
# ECM-BSW

3.5" Single Board Computer

Intel® Pentium®/ Celeron® N3000 Series SoC Processors 3.5 inch Single Board Computer (SBC)

## Features

- Onboard Intel® Pentium®/Celeron® SoC Quad Core Processor Onboard
- One 204-pin DDR3L SODIMM Socket Supports Up to 8GB DDR3L 1600 SDRAM
- Dual Display (HDMI, LVDS)
- 1 SATA III, 4 USB 3.0, 2 USB 2.0, 5 COM, 2 x Mini-PCIe, 8-bit GPIO
- Fanless
- TPM 1.2 function (Optional)



## Specifications

### System

<b>CPU</b>	Intel® Pentium® N3700 4-Core Processor 2.4 GHz (Max Speed) Intel® Celeron® N3160 4-Core Processor 2.24 GHz (Max Speed)
<b>BIOS</b>	Insyde 64Mbit SPI Flash ROM
<b>System Chipset</b>	SoC
<b>I/O Chip</b>	Nuvoton NPCE388N
<b>System Memory</b>	1 x 204-Pin DDR3L SODIMM Socket supports up to 8 GB 1600MHz DDR3L
<b>Expansion</b>	2 x Mini PCIe 1 x Full-size Mini PCIe with mSATA Supported 1 x Half-size Mini PCIe 1 x mSATA supported from Mini PCIe

### OS Support

<b>OS Info</b>	Win 8, Win 7, Linux
----------------	---------------------

### I/O

<b>MIO</b>	1 x LPC, 1 x SPI
<b>USB</b>	2 x USB 2.0, 4 x USB 3.0
<b>DIO</b>	8-bit GPIO
<b>Other</b>	1 x SATA III, 1 x RS-232/422/485, 4 x RS-232, 2 x RJ-45

### Display

<b>Chipset</b>	Intel® Braswell SoC integrated Graphics Supports dual display
<b>Resolution</b>	HDMI: Max. resolution 1920x1080 @ 60Hz LVDS: Max. resolution 1920x1080 @ 60Hz Dual-channel 18/ 24-bit LVDS VGA by pin header (Optional)
<b>Multiple Display</b>	LVDS + HDMI
<b>LCD Interface</b>	Built-in Touch controller (optional): EETI ETP-CP-MER4485XRU With 5-pin 2.0mm Box Header (Can be Selected to Support 4/5Wire Touch Screen)

### Audio

<b>HD Codec</b>	Realtek ALC233, supports 2.1-CH
<b>Audio Interface</b>	Audio Amp.: 2W

### Ethernet

<b>LAN Chip</b>	2 x Realtek 8119I
<b>Ethernet Interface</b>	2 x RJ-45, 10/100/1000 Base-Tx Gigabit Ethernet Compatible

### Mechanical & Environment

<b>Power Requirement</b>	+12V ~ +26V
<b>ACPI</b>	Single Power ATX Support S0, S3, S4, S5 ACPI 5.0 Compliant
<b>Power Type</b>	AT/ATX
<b>Operating Temp.</b>	0 ~ 60°C (32 ~ 140°F)
<b>Storage Temp.</b>	-40 ~ 75°C (-40 ~ 167°F)
<b>Operating Humidity</b>	0%~90% Relative Humidity, Non-condensing
<b>Form Factor</b>	3.5" Single Board Computer (SBC)
<b>Dimensions</b>	5.7" x 4" (146mm x 101mm)
<b>Weight</b>	0.44lbs (0.2kg)

### Ordering Info

<b>ECM-BSW-N3160</b>	Intel® Braswell N3160 Quad Core 3.5" SBC
<b>ECM-BSW-N3700</b>	Intel® Braswell N3700 Quad Core 3.5" SBC

\* All product specifications and images are subject to change without notice.  
Last update: 9/29/2017