

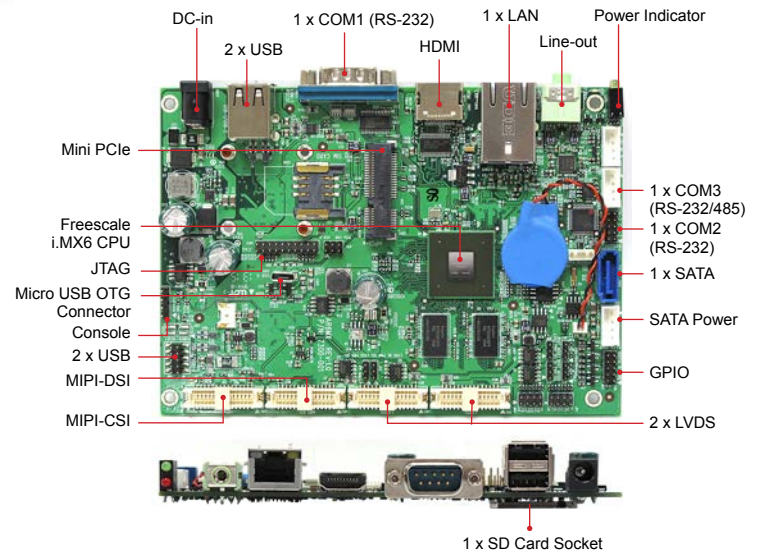
AR6MXQ

ARM Platform

Freescale® i.MX6 Cortex A9 Quad Core
Full Feature ARM Motherboard (SBC)

Features

- i.MX6 Motherboard with Quad Core CPU
- NXP® i.MX6 ARM Cortex A9 Quad Core 1.0 GHz
- 1 GB onboard DDR3 Memory
- 4 GB eMMC onboard Flash
- Dual Display: 1 x HDMI, 2 x 18/24-bits LVDS
- MIPI-CSI Camera Interface
- 1 x MIPI-DSI
- SD Card Socket
- 4 x USB
- 1 x Micro USB OTG Connector
- 9V - 24V DC Input
- Resistive touch controller onboard



Specifications

System

CPU	NXP® i.MX6 Cortex A9 Quad Core 1.0 GHz with heatsink
System Memory	1 GB onboard DDR3 Memory
Touch Screen Interface	Resistive Touch Controller Onboard
Storage	4 GB eMMC Onboard Flash
Bluetooth & WiFi	Optional Through Mini PCIe Module
Audio	Wolfson® WM8960 Ultra Low Power Audio Codec
Ethernet	Micrel® KSZ9031 Gigabit Ethernet
Expansion	1 x SD Card Slot 1 x Mini PCIe

OS Support

Android	Android JB 4.3.1 Android KK 4.4.2 Android L5.0.1
Linux	Ubuntu 12.04 Linux Ubuntu 14.04.2 kernel 3.10.53 Linux Ubuntu 14.04.3 kernel 3.14.28 (Check Latest Version Online)
Other	Linux Yocto kernel 3.10.53 (Check Latest Version Online)

Video

Video Interface	LVDS, MIPI-CSI
Video Processing Unit	OpenGL® ES 2.0 and OpenVG™ 1.1 Hardware Accelerators & Multi-Format HD1080p Video Decoder and HD720p Video Encoder Engine

Rear I/O

Audio Interface	1 x Line-out
USB	2 x USB Connectors
COM (Serial Port)	1 x RS-232
HDMI	1 x HDMI Connector
LAN	1 x RJ-45 Connector
DC-in	1 x Barrel Type Connector

Onboard I/O

LVDS	2 x LVDS Header
Image Capture Interfaces	1 x MIPI-CSI Header, 1 x MIPI-DSI Header
USB	1 x 2x5 USB Headers (2 Ports) and 1 x Micro USB OTG connector
COM (Serial Port)	1 x RS-232 and 1 x TTL
DIO	1 x 2x5 GPIO Pin Header
MIO	1 x Front Panel Pin Header, 1 x SATA and 1 x SATA Power Connector

Mechanical & Environment

Power	9V ~ 24V DC Input
Operating Temp.	0 ~ 50°C
Storage Temperature	-20 ~ 80°C
Operating Humidity	5 ~ 90% Relative Humidity, Non-condensing
Form Factor	Single Board Computer
Dimensions (L) x (W)	5.7 in x 4 in
Weight	0.44 lbs

Ordering Info

AR6MXQ	NXP i.MX6 Cortex A9 Quad Core 1.0 GHz ARM Motherboard
AR6MXQ-DEV-LX	NXP i.MX6 Cortex A9 Quad Core 1.0 GHz ARM Motherboard with 8GB SSD pre-loaded with Linux, null-modem serial cable, AC power adapter, USB OTG cable, misc USB and RS232 cables. SATA data and SATA power cable are optional
AR6MXQ-DEV-LX	NXP i.MX6 Cortex A9 Quad Core 1.0 GHz ARM Motherboard with 8GB SSD pre-loaded with Android, null-modem serial cable, AC power adapter, USB OTG cable, misc USB and RS232 cables. SATA data and SATA power cable are optional
AR6MXQ-LCD-LX	AR6MXQ Development Kit with 10" LCD, enclosure and Linux OS. The kit comes with a 10 inch touch LCD, enclosure, power adapter, Null-modem Serial Cable, USB OTG Cable, SD card with pre-loaded OS, Wi-Fi module, two antennas
AR6MXQ-LVD-AN	AR6MXQ Development Kit with 10" LCD, enclosure and Android OS. The kit comes with a 10 inch touch LCD, enclosure, power adapter, Null-modem Serial Cable, USB OTG Cable, SD card with pre-loaded OS, Wi-Fi module, two antennas



* All product specifications and images are subject to change without notice.
Last update: 2/11/2016